

Foxhobby

AGE 14+

C400 Model Airplane



INSTRUCTION MANUAL

INTRODUCTION

The C400 is a single-engine, low wing, general aviation plane with a fixed tricycle undercarriage.

The Top RC Hobby C400 is an excellent, scale rendition of the original plane made by Cessna. It is made of tough EPO foam and is beautifully crafted with panel lines and scale cockpit and other details. Plenty of power with the scale 3-blade propeller.

At 1100mm wingspan the C400 is small enough to transport. Take-offs and landings are a breeze thanks to the scale slotted flaps and the super bright navigation lights will allow everyone to easily spot this streamlined plane. With a thrust ratio of 1:1.3 there is no trouble doing some easy rolls and loops and other maneuvers. The large hatch area makes installing a battery so easy.

This is a beautiful, scale plane which will have you the talk of the field.

SAFETY INSTRUCTIONS

1. Please read this manual carefully and follow the instructions before you use this product.
2. This airplane is not a toy, due to its advanced flying qualities it is only suitable for pilots with intermediate or higher experience. If you are a novice then please only operate with the assistance of an experienced pilot.
3. Not recommended for children under 14 years old.
4. Please set up this plane according to the instructions and make sure you keep your hands and other parts of your body out of the way of the rotating propellers at all times. Failure to do so will result in damage to yourself and to the airplane.
5. Do not fly in thunderstorms, strong winds or wet weather.
6. Never fly R/C planes where there are overhead power lines, automobiles, airports, railway lines or near a highway.
7. Never fly R/C planes where there are crowds of people or over organised games. This airplane requires a very flat landing and take-off area that is clear of trees and other obstacles. Remember safety is the responsibility of the pilot.
8. Do not attempt to catch the plane when you are flying it.
9. The operator will bear the full responsibility of flying and the proper operation and usage of this model. We at Top RC Hobby will not be responsible for any liability or loss due to improper use of this model.

Wingspan: 1100mm/43.31in

Length: 700mm/27.56in

Weight: 675g (without battery)

Thrust to weight ratio: 1:1.3

Motor : 3530-1200KV out-runner brushless

ESC: 30A brushless

Servo: 9g(plastic gear)x6

Radio: 2.4Ghz 6ch/Optional

Recommended Battery: 11.1V1300-2200MAH/Optional

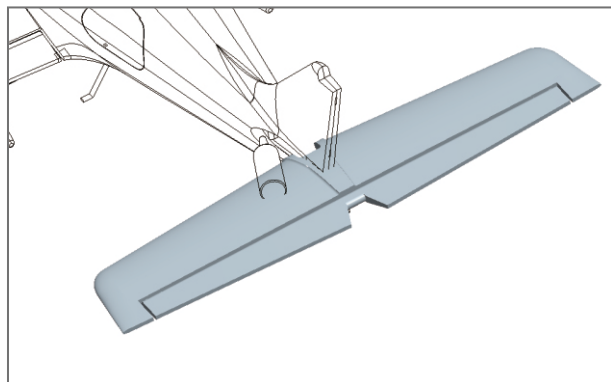
Flight time: about 5-7mins

Propeller: 8x4.5 3-blade

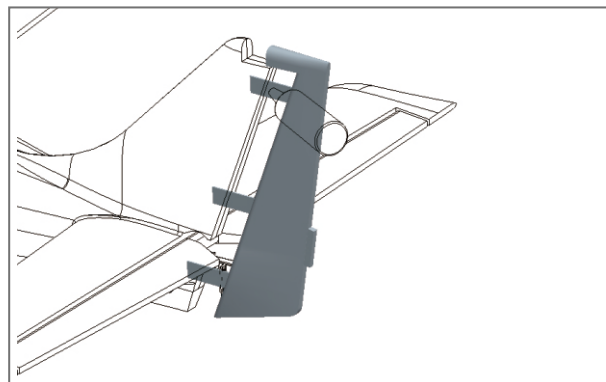
C400 Features:

- Lightweight and durable EPO material.
- Scale details like antennas, steps, cockpit, panel lines, and more.
- Big powerful scale slotted flaps for STOL and allows low-speed flight.
- With super bright navigational lights.
- Big battery compartment.
- Efficient 3-blade scale propeller and a powerful motor are perfectly matched to provide longer flight times and high power.
- Assembly requires some glue on your own.

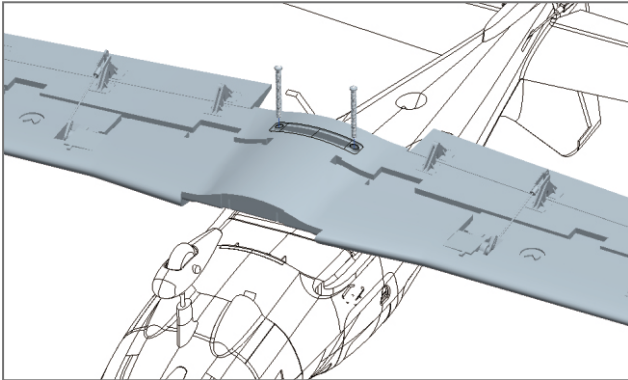
KIT CONTENTS



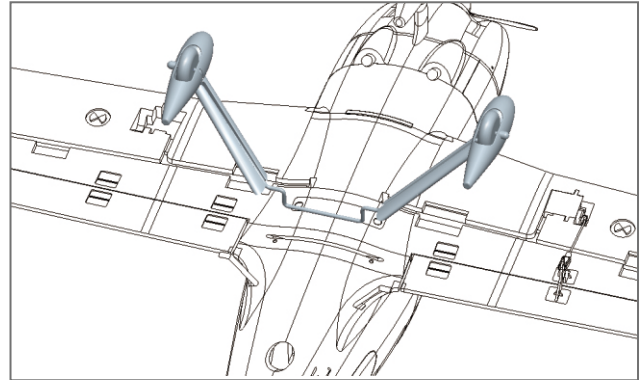
Step 1: Apply some medium or slow setting CA glue to the cut out in the rear of the fuselage and glue into place the horizontal stabilizer. Attach the elevator clevis to the control horn when glue has set.



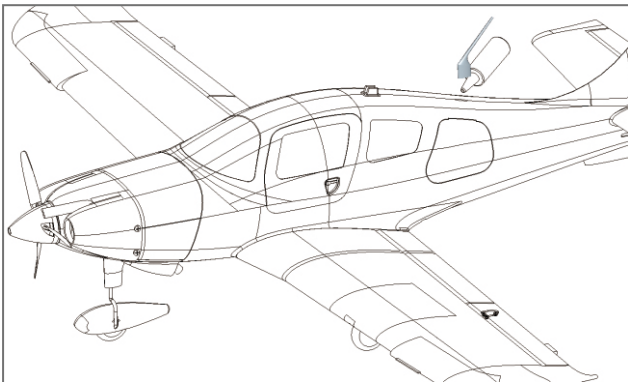
Step 2: Apply medium or slow setting CA glue to the rudder hinges then slide the rudder into the slots in the vertical stabilizer. Once glue has set attach the rudder clevis to the control horn.



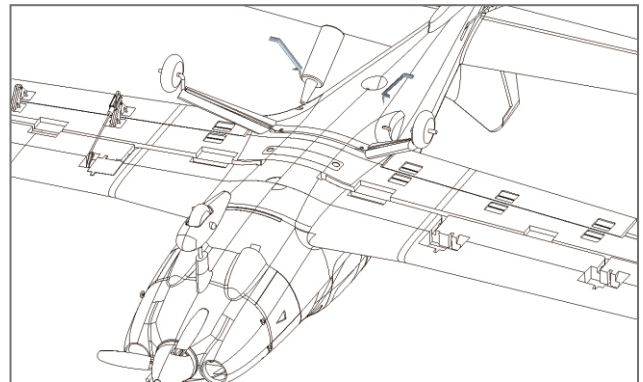
Step 3: Attach the wings using the 2 M3 x 20mm hex head screws provided. Note that the aileron and flap servos connect automatically and so does the wing LED's, see pictures below.



Step 4: Clip the undercarriage into the slot in the fuselage, squeeze the legs together slightly so that it fits into the slot. Once in place remove the pressure and it will hold in place, no retaining screws are required.

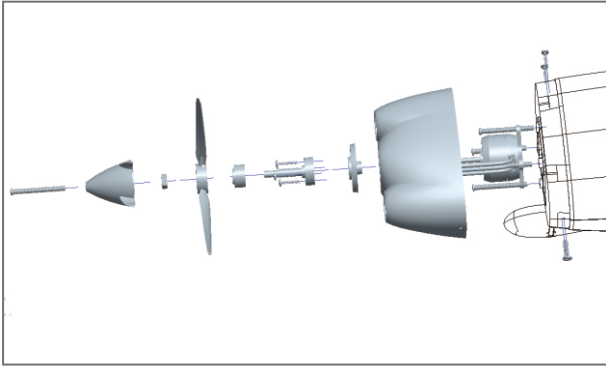


Step 5: Using a medium CA glue in place the scale antenna into the slot in the top of the fuselage.



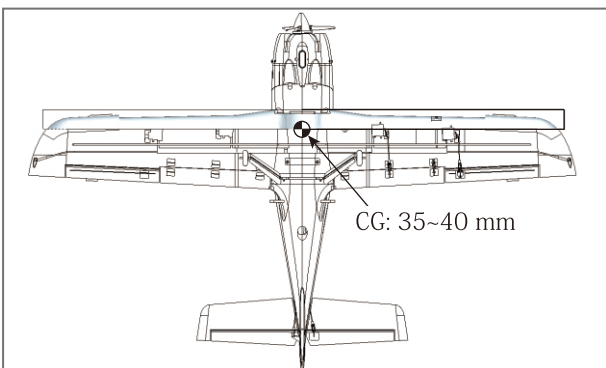
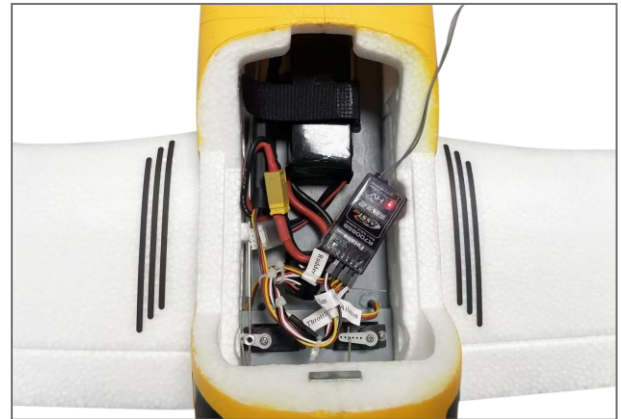
Step 6: Glue into place the 2 scale footrests either side of the fuselage just behind the wing using a medium CA glue.

C400



Step 7: Attach the 3 bladed propeller and spinner as shown. Remove the nut and washer from the shaft, fit onto the prop shaft first the spinner backplate and then the propeller. Refit the nut and washer and tighten. Next fit the spinner cone over the propeller and hold in place with the M3 x 10mm screw provided. This finishes the construction so all you need to do now is fit your receiver and battery.

Step 8: Plug in the wires from the wing to the corresponding channels on your receiver.



Center of Gravity.

The C of G position is between 35mm and 40mm from the wing leading edge, see picture below. For first flights we recommend you start near the forward position then as you get used to the handling of the model you can move it towards the rear position. On or near the forward position the model will be very smooth and stable, as you move the C of G back it will become more aerobatic and slightly less stable in pitch. Move the battery forwards or rearwards to achieve your preferred C of G.

Suggested Control Throws.

Ailerons: 9mm each way (measured at the tip).

Elevator: 6mm each way (measured at the tip)

Rudder: 10-12mm each way.

Flaps: 1st stage 8mm, 2nd stage 22-24mm (measured at the root).

Flying.

We shall not delve too much into flying the C400 as it is not a model designed for beginners but for the model pilot who has flown low wing type aircraft before.

Before flying first thing is to double check all the controls are moving in the correct direction and the control throws have been set to approximately the suggested movement. Re-check the C of G position and then do a range check of the radio. Please ensure that you have a fully charged battery installed.

For initial flights it is best to leave the flaps alone, once you have flown the model a few times you can then experiment with stage 1 for take-off and stage 2 for landings. Line the model up into wind on your runway with a touch of up elevator and smoothly open the throttle keeping it straight with the steerable nosewheel. The C400 has an abundance of power so will lift off very readily and climb away rapidly gaining height. Once at a safe height explore the delightful handling characteristics of the C400. It is very smooth and aerobats very nicely, a very pleasing aeroplane to fly that will put a smile on your face.

Landings really are a non event, the plane virtually lands itself. Fly a nice circuit at reduced power and when on finals take most of the power off and glide onto you landing area controlling the airspeed with the elevator. At about shoulder height or a bit less start to very gently raise the nose with a small amount of elevator until you are flying level with the ground at about half a wingspan. Keep very gently pulling back the elevator until the rear wheels kiss the ground and you have landed.

The flaps are quite powerful, best to get used to them up high to start with to watch the attitude change and to get used to the handling, do not select the landing flap at high speeds, slow the model down before selecting. Technique for landing with flaps is much the same as flapless but you will need to have a bit more power on to overcome the drag of the flaps. The round out, float and flare will also be shorter due to the drag so watch out for this to avoid a heavy landing.

We hope you enjoy flying your Top RC Hobby C400 and if you haven't already tried out the others in our range then we recommend you visit our website at www.toprchobby.com and take a look at our ever increasing range of quality model aircraft and accessories.

Have fun.

C400

Spare Parts List for C400



Top119001
Fuselage



Top119002
Main Wing



Top119003
Landing Gear set



Top119004
Canopy



Top119005
Tail wing set



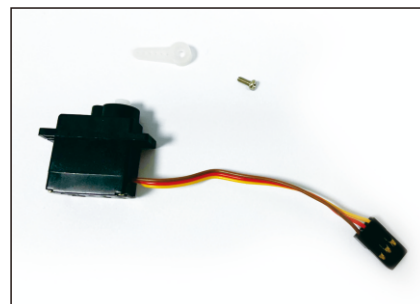
Top119006
Spinner



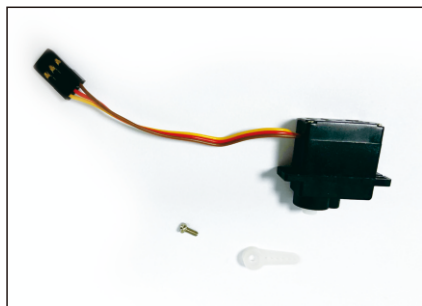
Top119007
Propeller 3-Blade 8*4.5



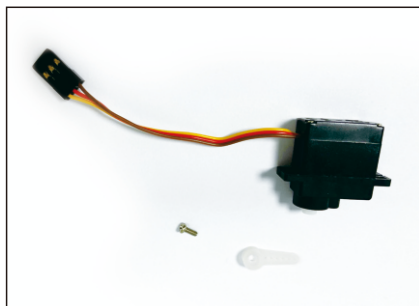
Top119008
Cowling



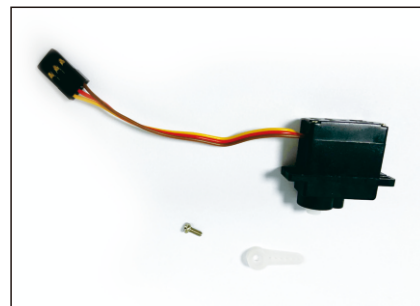
Top30204
9g servo(Plastic)
(wire length 90MM)
(rudder and elevator servo)



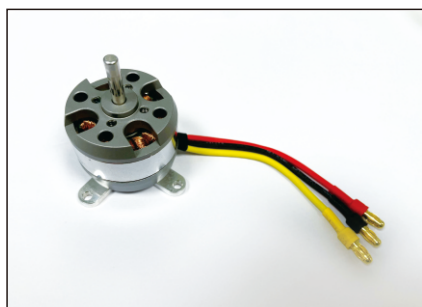
Top30205
9g servo(Plastic)
(wire length 300MM)
(aileron servo)



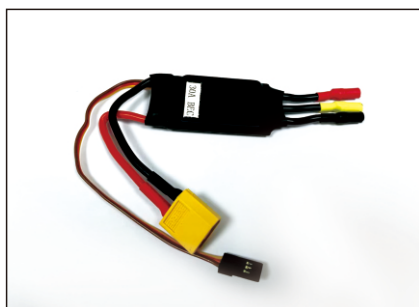
Top30206
9g servo(Plastic)
(wire length 180MM)
(left flaps servo)



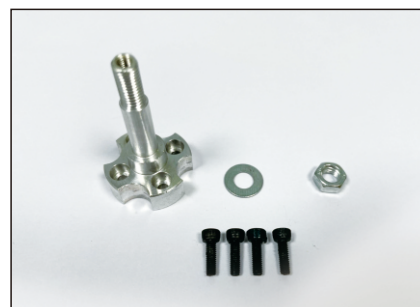
Top30207
9g Reverse servo
(wire length 180MM)
(right flaps servo)



Top119110
3530-1200KV Brushless motor



Top119111
30A ESC



Top119112
Prop Adapter

C400

Radio Control Model Airplane



Shenzhen Top RC Hobby Tech Co.,Ltd

www.toprchobby.com

Tel: 0086-(0)755-27908315

Fax: 0086-(0)755-27908325

AGE 14+    **CE FC**

Made in China