

LOSI® MINI LMT

MEGALODON™

4X4 MONSTER JAM™ TRUCK, RTR



**INSTRUCTION MANUAL
BEDIENUNGSANLEITUNG
MANUEL D'UTILISATION
MANUALE DI ISTRUZIONI**

Scan the QR code and select the Support tab from the product page for the most up-to-date manual information.

Scannen Sie den QR-Code und wählen Sie auf der Produktseite die Registerkarte „Support“, um die aktuellsten Informationen zu Handbüchern.

Scannez le code QR et sélectionnez l'onglet Support sur la page du produit pour obtenir les informations les plus récentes sur le manuel.

Scannerizzare il codice QR e selezionare la scheda Supporto dalla pagina del prodotto per le informazioni manuali più aggiornate.



821262
Created 11/24

LOS01026T3

NOTICE

All instructions, warranties and other collateral documents are subject to change at the sole discretion of Horizon Hobby, LLC. For up-to-date product literature, visit www.horizonhobby.com or www.towerhobbies.com and click on the support or resources tab for this product.


MEANING OF SPECIAL LANGUAGE

The following terms are used throughout the product literature to indicate various levels of potential harm when operating this product:


WARNING: Procedures, which if not properly followed, create the probability of property damage, collateral damage, and serious injury OR create a high probability of superficial injury.

CAUTION: Procedures, which if not properly followed, create the probability of physical property damage AND a possibility of serious injury.

NOTICE: Procedures, which if not properly followed, create a possibility of physical property damage AND a little or no possibility of injury.

 **WARNING:** Read the ENTIRE instruction manual to become familiar with the features of the product before operating. Failure to operate the product correctly can result in damage to the product, personal property and cause serious injury.

This is a sophisticated hobby product. It must be operated with caution and common sense and requires some basic mechanical ability. Failure to operate this Product in a safe and responsible manner could result in injury or damage to the product or other property. This product is not intended for use by children without direct adult supervision. Do not use with incompatible components or alter this product in any way outside of the instructions provided by Horizon Hobby, LLC. This manual contains instructions for safety, operation and maintenance. It is essential to read and follow all the instructions and warnings in the manual, prior to assembly, setup or use, in order to operate correctly and avoid damage or serious injury.

 **WARNING AGAINST COUNTERFEIT PRODUCTS:** Always purchase from a Horizon Hobby, LLC authorized dealer to ensure authentic high-quality Spektrum product. Horizon Hobby, LLC disclaims all support and warranty with regards, but not limited to, compatibility and performance of counterfeit products or products claiming compatibility with DSM or Spektrum technology.

Age Recommendation: Not for children under 14 years. This is not a toy.

SAFETY PRECAUTIONS AND WARNINGS

As the user of this product, you are solely responsible for operating in a manner that does not endanger yourself and others or result in damage to the product or property of others.

This model is controlled by a radio signal subject to interference from many sources outside your control. This interference can cause momentary loss of control, so it is advisable to always keep a safe distance in all directions around your model as this margin will help avoid collisions or injury.

- Always keep a safe distance in all directions around your model to avoid collisions or injury. This model is controlled by a radio signal subject to interference from many sources outside your control. Interference can cause momentary loss of control.

- Always operate your model in open spaces away from full-size vehicles, traffic and people.
- Always carefully follow the directions and warnings for this and any optional support equipment (chargers, rechargeable battery packs, etc.).
- Always keep all chemicals, small parts and anything electrical out of the reach of children.
- Always avoid water exposure to all equipment not specifically designed and protected for this purpose. Moisture causes damage to electronics.
- Never place any portion of the model in your mouth as it could cause serious injury or even death.
- Never operate your model with low transmitter batteries.

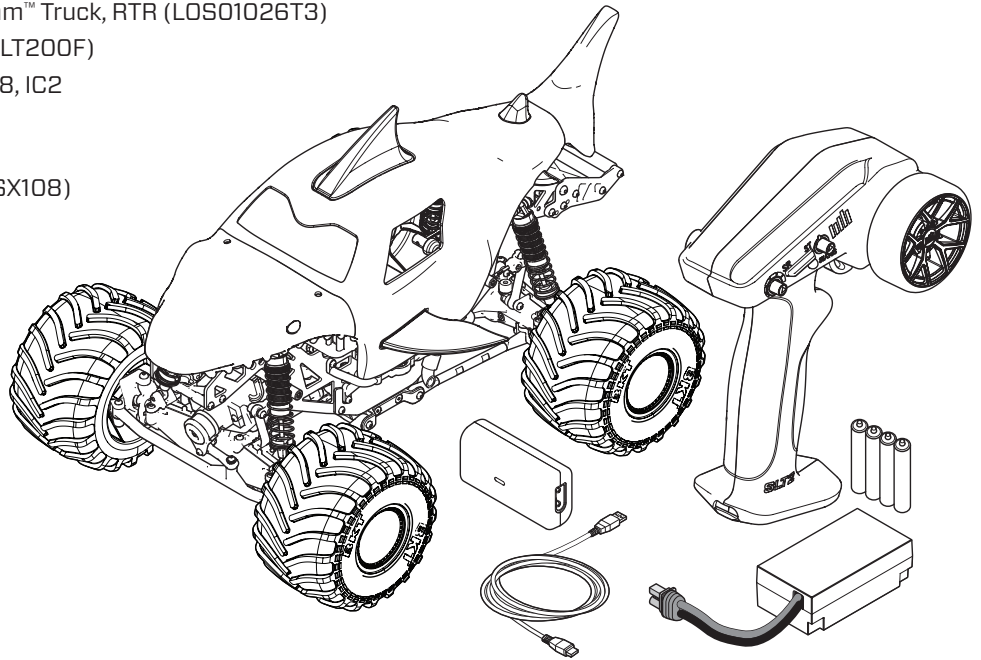
BEFORE OPERATING THIS VEHICLE, PLEASE READ ALL PRINTED MATERIALS THOROUGHLY. HORIZON HOBBY IS NOT RESPONSIBLE FOR INADVERTENT ERRORS IN THIS MANUAL.

TABLE OF CONTENTS

SAFETY PRECAUTIONS AND WARNINGS	2	UNLOCKING THE BODY LATCHES.....	7
BOX CONTENTS.....	3	RUN TIME	7
WATER-RESISTANT VEHICLE WITH WATERPROOF ELECTRONICS	3	INSTALLING THE BATTERY AND POWERING ON THE VEHICLE.....	8
CHARGING WARNINGS	4	TUNING, ADJUSTING AND MAINTAINING THE VEHICLE	8
CHARGING THE BATTERY	4	SHOCK CLEANING	9
QUICK START	4	TROUBLESHOOTING GUIDE.....	10
INSTALL THE TRANSMITTER BATTERIES.....	5	REPLACEMENT PARTS	10-11
TRANSMITTER FUNCTIONS.....	5	OPTIONAL PARTS	11
BINDING.....	5	LIMITED WARRANTY.....	12
DRIVING PRECAUTIONS	6	FCC INFORMATION	13
BEFORE RUNNING THE VEHICLE.....	6	IC INFORMATION	13
PERFORMING A CONTROL DIRECTION TEST.....	6	COMPLIANCE INFORMATION FOR THE EUROPEAN UNION	13
		EXPLODED VIEW.....	50-55

BOX CONTENTS

- Losi® Mini LMT Megalodon™ 4X4 Monster Jam™ Truck, RTR (LOS01026T3)
- Spektrum™ SLT2 - 2CH Transmitter (SPMRSLT200F)
- Spektrum™ SLT 25a ESC/Receiver 1/16 & 1/18, IC2 (SPMXSE3025RX)
- 25T Brushed 380 Size Motor (LOS11002)
- Spektrum™ SX108 Micro Gear Servo (SPMSSX108)
- Spektrum™ 810mAh 2S 7.4V Smart G2 50C LiPo, IC2 (SPMX8125H2)
- Spektrum™ S10 Smart G2 LiPo USB-C Charger with IC2 Connector (SPMXC0040)
- 4 AA batteries (for transmitter)



WATER-RESISTANT VEHICLE WITH WATERPROOF ELECTRONICS

Your new Horizon Hobby vehicle has been designed and built with a combination of waterproof and water-resistant components to allow you to operate the product in many “wet conditions,” including puddles, creeks, wet grass, snow and even rain.

While the entire vehicle is highly water-resistant, it is not completely waterproof and your vehicle should NOT be treated like a submarine. The various electronic components used in the vehicle, such as the Electronic Speed Control (ESC), servo(s) and receiver are waterproof, however, most of the mechanical components are water-resistant and should not be submerged.

Metal parts, including the bearings, hinge pins, screws and nuts, as well as the contacts in the electrical cables, will be susceptible to corrosion if additional maintenance is not performed after running in wet conditions. To maximize the long-term performance of your vehicle and to keep the warranty intact, the procedures described in the “Wet Conditions Maintenance” section below must be performed regularly if you choose to run in wet conditions. If you are not willing to perform the additional care and maintenance required, then you should not operate the vehicle in those conditions.

⚠ CAUTION: Failure to exercise caution while using this product and complying with the following precautions could result in product malfunction and/or void the warranty.

GENERAL PRECAUTIONS

- Read through the wet conditions maintenance procedures and verify you have all the tools you need to properly maintain the vehicle.
- Not all batteries can be used in wet conditions. Consult the battery manufacturer before use. Caution should be taken when using Li-Po batteries in wet conditions.
- Most transmitters are not water-resistant. Consult your transmitter’s manual or the manufacturer before operation.
- Never operate the transmitter or vehicle where lightning may be present.
- Do not operate your vehicle where it could come in contact with salt water (ocean water or water on salt-covered roads), contaminated or polluted water. Salt water is very conductive and highly corrosive, so use caution.
- Even minimal water contact can reduce the life of your motor if it has not been certified as water-resistant or waterproof. If

the motor becomes excessively wet, apply very light throttle until the water is mostly removed from the motor. Running a wet motor at high speeds may rapidly damage the motor.

- Driving in wet conditions can reduce the life of the motor. The additional resistance of operating in water causes excess strain. Alter the gear ratio by using a smaller pinion or larger spur gear. This will increase torque (and motor life) when running in mud, deeper puddles, or any wet conditions that will increase the load on the motor for an extended period of time.

WET CONDITIONS MAINTENANCE

- Drain any water that has collected in the tires by spinning them at high speed. With the body removed, place the vehicle upside down and pull full throttle for a few short bursts until the water has been removed.

⚠ CAUTION: Always keep hands, fingers, tools and any loose or hanging objects away from rotating parts when performing the above drying technique.

- Remove the battery pack(s) and dry the contacts. If you have an air compressor or a can of compressed air, blow out any water that may be inside the recessed connector housing.
- Remove the tires/wheels from the vehicle and gently rinse the mud and dirt off with a garden hose. Avoid rinsing the bearings and transmission.

NOTICE: Never use a pressure washer to clean your vehicle.

- Use an air compressor or a can of compressed air to dry the vehicle and help remove any water that may have gotten into small crevices or corners.
- Spray the bearings, drive train, fasteners and other metal parts with a water-displacing light oil. Do not spray the motor.
- Let the vehicle air dry before you store it. Water (and oil) may continue to drip for a few hours.
- Increase the frequency of disassembly, inspection and lubrication of the following:
 - » Front and rear axle hub assembly bearings
 - » All transmission cases, gears and differentials
 - » Motor—clean with an aerosol motor cleaner and re-oil the bushings with lightweight motor oil

CHARGING WARNINGS

⚠ CAUTION: All instructions and warnings must be followed exactly. Mishandling of Li-Po batteries can result in a fire, personal injury and/or property damage.

• **NEVER LEAVE CHARGING BATTERIES UNATTENDED.**

• **NEVER CHARGE BATTERIES OVERNIGHT.**

- By handling, charging or using the included Li-Po battery, you assume all risks associated with lithium batteries.
- If at any time the battery begins to balloon or swell, discontinue use immediately. If charging or discharging, discontinue and disconnect. Continuing to use, charge or discharge a battery that is ballooning or swelling can result in fire.
- Always store the battery at room temperature in a dry area for best results.
- Always transport or temporarily store the battery in a temperature range of 40–120° F (5–49° C).
- Do not store battery or model in a car or direct sunlight. If stored in a hot car, the battery can be damaged or even catch fire.
- Always charge batteries away from flammable materials.

- Always inspect the battery before charging.
- Always disconnect the battery after charging, and let the charger cool between charges.
- Always constantly monitor the temperature of the battery pack while charging.
- **ONLY USE A CHARGER SPECIFICALLY DESIGNED TO CHARGE LI-PO BATTERIES.** Failure to charge the battery with a compatible charger may cause a fire resulting in personal injury and/or property damage.
- Never discharge Li-Po cells to below 3V under load.
- Never cover warning labels with hook and loop strips.
- Never charge batteries outside recommended levels.
- Never charge damaged batteries.
- Never attempt to dismantle or alter the charger.
- Never allow minors to charge battery packs.
- Never charge batteries in extremely hot or cold places (recommended between 40–120° F or [5–49° C]) or place in direct sunlight.

CHARGING THE BATTERY

NOTICE: Charge only batteries that are cool to the touch and are not damaged. Inspect the battery to make sure it is not damaged e.g., swollen, bent, broken or punctured.

⚠ CAUTION: Only use chargers specifically designed to charge the included Li-Po battery. Failure to do so could result in fire, causing injury or property damage.

⚠ CAUTION: Never exceed the recommended charge rate.

Use only the included USB charger to charge the battery.

1. Connect the included USB-C power cable to the charger. The charger will work with most 5V mobile power sources or smartphone chargers with at least 1 amp of power output.

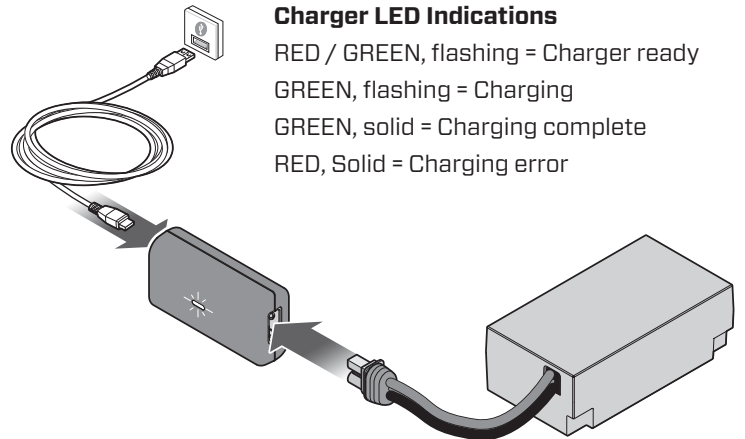
NOTICE: Charging the battery with a USB power port with less than 1 amp of power output can produce heat.

2. Connect the IC2 connector on the battery to the charger, noting correct polarity. Charging a fully discharged battery takes approximately 45–60 minutes. Charge times may vary depending on the power source.

3. Disconnect the battery from the charger when the charging cycle is complete.

4. Disconnect the power supply from the charger.

⚠ CAUTION: Once charging is complete, immediately remove the battery. Never leave a battery connected to the charger.



Charger LED Indications

RED / GREEN, flashing = Charger ready
 GREEN, flashing = Charging
 GREEN, solid = Charging complete
 RED, Solid = Charging error

QUICK START

Please read the entire manual to gain a full understanding of the Losi® Mini LMT Megalodon, fine-tuning the setup and performing maintenance.

1. Read the safety precautions found in this manual.
2. Charge a battery for the vehicle. Refer to the included charging warnings and instructions for battery charging information.
3. Install the AA batteries in the transmitter. Only use alkaline or rechargeable batteries.
4. Install the fully charged battery in the vehicle.

5. With the vehicle on a flat surface, power ON the transmitter and then the vehicle. Before moving the vehicle, wait 5 seconds for the ESC/receiver to initialize.

Always power the transmitter ON before the vehicle, and power it OFF after the vehicle has been powered OFF.

6. Check the steering and throttle control directions. Verify that the servos are moving in the correct direction.
7. Drive your vehicle.
8. Perform any necessary maintenance.

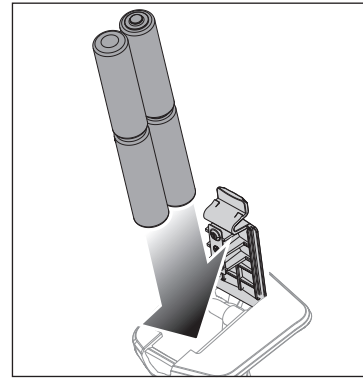
INSTALL THE TRANSMITTER BATTERIES

This transmitter requires 4 AA batteries.

1. Remove the battery cover from the transmitter.
2. Install the batteries as shown.
3. Install the battery cover.

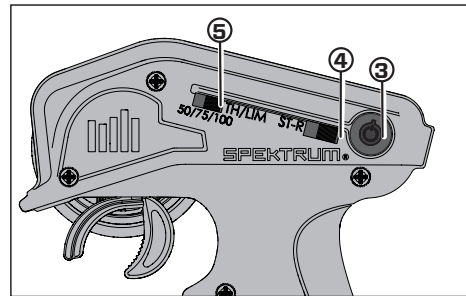
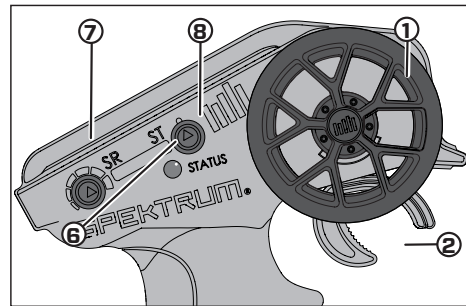
CAUTION: NEVER remove the transmitter batteries while the model is powered ON. Loss of model control, damage, or injury may occur.

CAUTION: Risk of explosion if battery is replaced by an incorrect type. Dispose of used batteries according to national regulations.



TRANSMITTER FUNCTIONS

1. **Steering Wheel** Controls direction (left/right) of the model
2. **Throttle Trigger** Controls speed and direction (forward/brake/reverse) of the model
3. **Power Button** Turns the power on/off
4. **Steering (ST-R) Servo Reversing** Reverses the steering channel
5. **Throttle Limit** Limits throttle output to 50/75/100%
Select 50% or 75% for less experienced drivers or when you are driving the vehicle in a small area
6. **Indicator Lights**
 - **Solid Red Light**—Indicates radio connectivity and adequate battery power
 - **Flashing Red Light**—Indicates the battery voltage is critically low. Replace the batteries
7. **Steering Rate** Adjusts the steering end points
8. **Steering Trim** Adjusts the steering center point



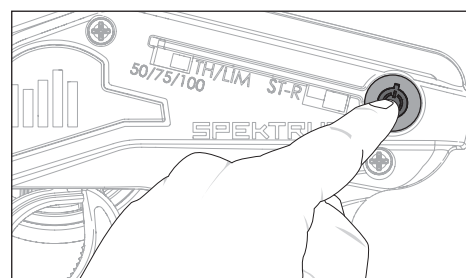
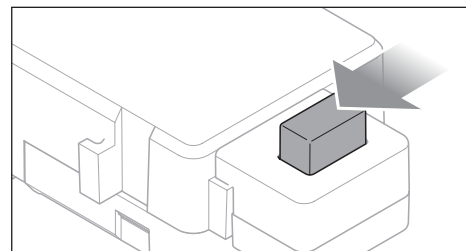
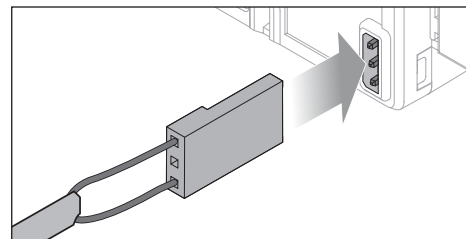
BINDING

Binding is the process of programming the receiver to recognize the GUID (Globally Unique Identifier) code of a single specific transmitter. **The transmitter and receiver are bound at the factory.** If you need to rebind, follow the instructions below:

1. Disconnect the steering servo from the 2n1 unit.
2. Insert the BIND plug into the steering channel.
3. Connect a fully charged battery to the ESC.
4. Power on the ESC
5. Power ON the transmitter. The receiver's red LED will turn solid when the bind is successful.
6. Power OFF the ESC to save the settings.
7. Power OFF the transmitter.
8. Remove the BIND plug and re-connect the steering servo.

You must rebind when binding the receiver to a different transmitter.

NOTICE: Do not attempt to bind the transmitter and receiver if there are other compatible transmitters in bind mode within 400 feet. Doing so may result in unexpected binding.



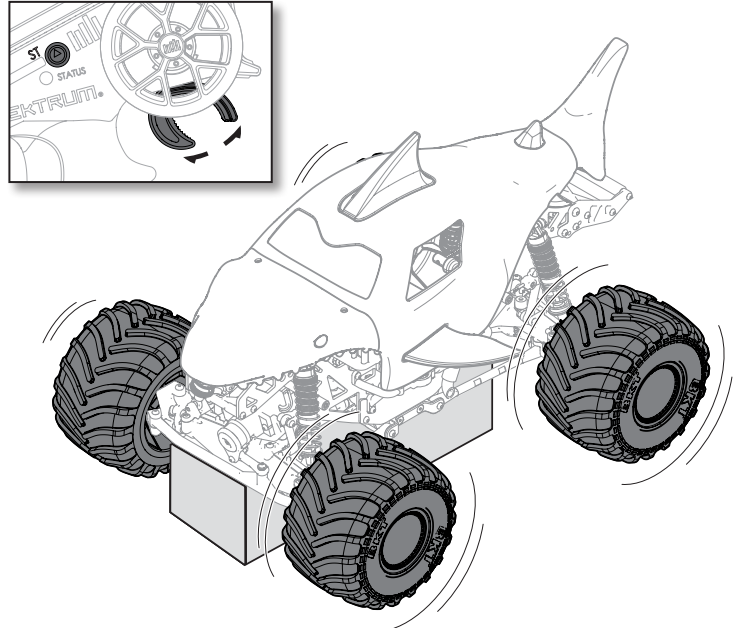
DRIVING PRECAUTIONS

- ALWAYS turn on your transmitter before you turn on the receiver in the vehicle. Always power off the receiver before turning your transmitter off.
- Maintain sight of the vehicle at all times.
- Inspect the vehicle for loose wheel hardware.
- Inspect the steering assembly for any loose hardware. Driving the vehicle off-road can cause fasteners to loosen over time.
- ALWAYS operate your vehicle in a wide open area. Operating the vehicle in a small space or indoors can cause overheating at low speeds. Operating at low speed increases heat in the electronic speed control (ESC). Overheating can damage the vehicle and failure may result.
- Do not drive the vehicle in tall grass. Doing so can damage the vehicle or electronics.
- Stop driving the vehicle when you notice a lack of power. Driving the vehicle when the battery is discharged can cause the receiver to power off. You may lose control of the vehicle.
- Do not apply the throttle in forward or reverse if the vehicle is stuck. Applying throttle in this instance can damage the motor or ESC.
- After driving the vehicle, allow the electronics to cool to ambient temperature before using the next battery pack.

BEFORE RUNNING THE VEHICLE

1. Check for free suspension movement. All suspension arms and steering components should move freely. Any binds will cause the vehicle to handle poorly.
2. Charge a battery pack. Always charge the battery pack as per the battery and/or charger manufacturers' instructions.
3. Check the wheel nuts to ensure they are not loose.
4. Set the transmitter steering trim. Follow the instructions to set the steering trim/subtrim so that the vehicle drives straight with no input to the steering.
5. Perform a Control Direction Test.

IMPORTANT: Check for any binding in the drivetrain and confirm that the vehicle moves freely.



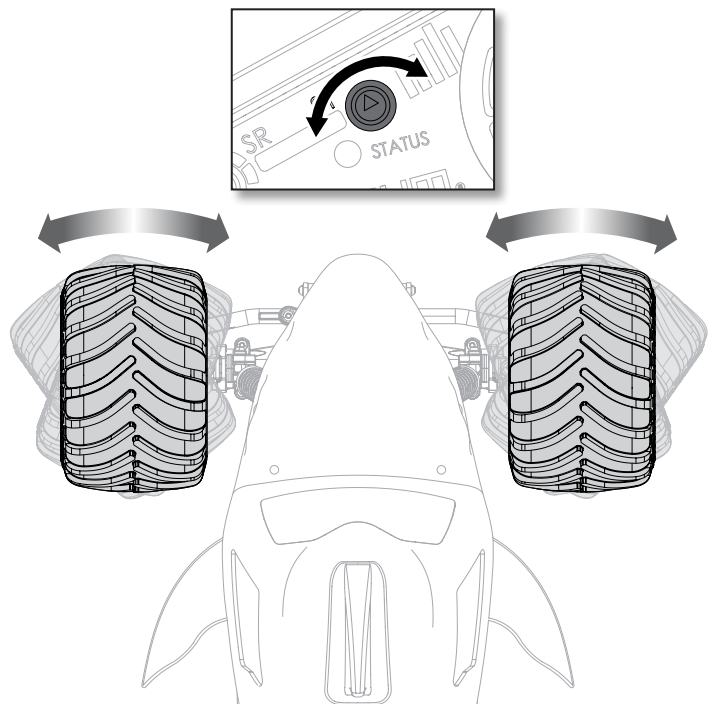
PERFORMING A CONTROL DIRECTION TEST

Perform a control test with the vehicle wheels off the ground.

Check the vehicle steering by turning the transmitter steering wheel to the right. The vehicle wheels should turn to the right. Turn the transmitter wheel to the left, the wheels should turn to the left.

If the wheels rotate after the vehicle is powered ON, adjust the Throttle Trim until they stop. **Pull** the trigger to make the wheels move forward. When the wheels stop, **push** the trigger to reverse the wheels.

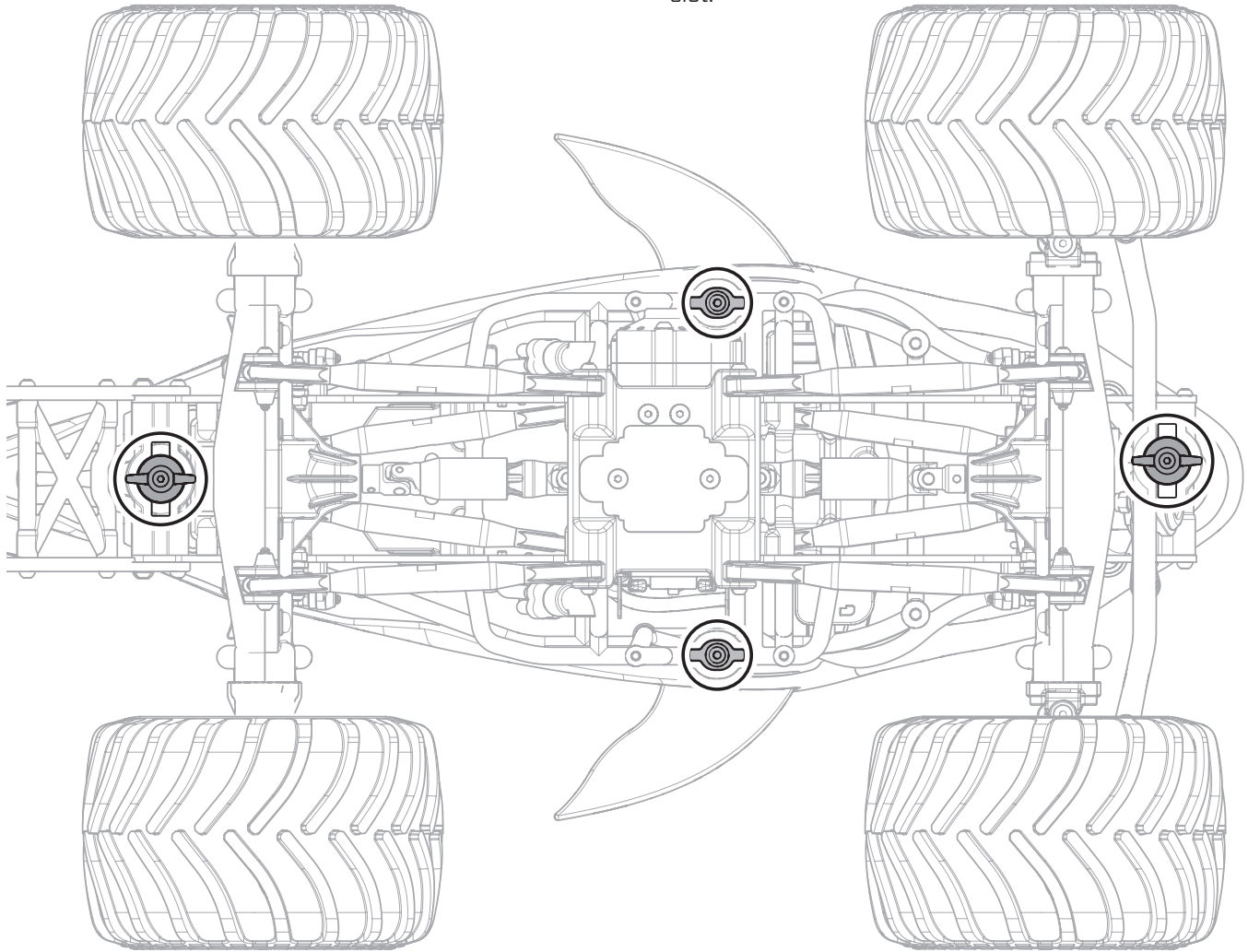
When moving forward, the wheels should maintain a straight line without any steering wheel input. If they do not, adjust the ST Trim, so the wheels maintain a straight line without having to turn the steering wheel.



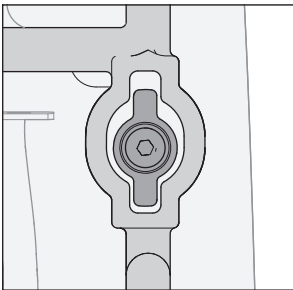
UNLOCKING THE BODY LATCHES

1. Access the four twist-lock body latches under the chassis.

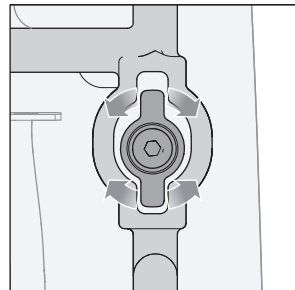
2. Rotate the twist-lock connector to align it with its respective slot.



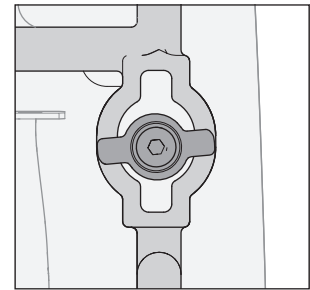
UNLOCKED



**ROTATE TO LOCK
OR UNLOCK**



LOCKED



RUN TIME

Average run times is approximately 10-12 minutes with the included 810 mAh Spektrum 2s LiPo battery. The condition of a battery pack is also an important factor in both run time and speed. The battery connectors may become hot during driving. Batteries will lose performance and capacity over time.

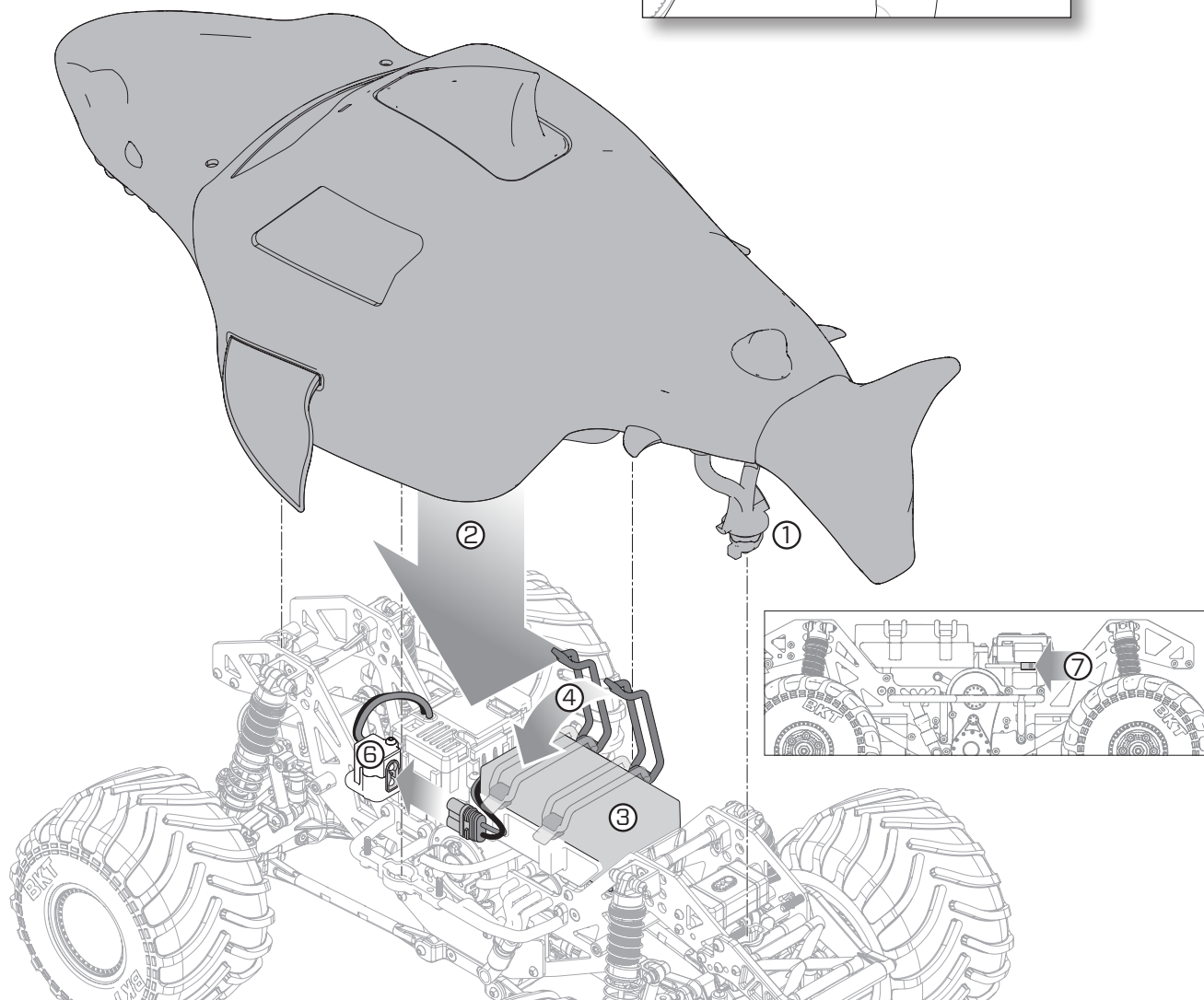
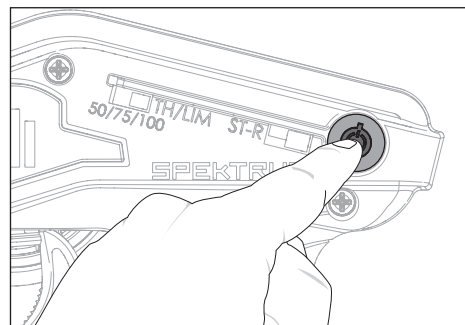
Driving the vehicle from a stop to full speed repeatedly will damage the batteries and electronics over time. Sudden acceleration will also lead to shorter run times.

TO IMPROVE RUN TIMES

- Seat the motor brushes by driving smoothly on a flat surface during use of the first battery charge. Properly seating the motor brushes will increase the life and performance of the motor.
- Keep your vehicle clean and well maintained.
- Allow more airflow to the ESC and motor.
- Change the gearing to a lower ratio. A lower ratio lowers the operating temperature of the electronics. Use a smaller pinion gear or larger spur gear to lower the gear ratio.

INSTALLING THE BATTERY AND POWERING ON THE VEHICLE

1. Detach the body / cage using the four twist-lock latches.
2. Remove the body / cage to access the battery tray.
3. Install the fully charged battery in the vehicle.
4. Secure the battery with the elastomer straps.
5. Power on the transmitter.
6. Connect the battery to the ESC / receiver.
7. Power on the ESC / receiver.
8. Re-install the body / cage, and secure it with the four twist locks.



TUNING, ADJUSTING AND MAINTAINING THE VEHICLE

- Examine your vehicle on a regular basis.
- Use a brush to remove dirt and dust.
- Look for damage to the axle housings and other molded parts.
- Re-glue the tires to the wheels, if necessary.
- Use suitable tools to tighten fasteners.
- Make sure the 4-link bars, rod ends, and steering linkages are not bent. Replace any bent linkages.
- Remove the shocks and inspect them for damage. Rebuild the shocks if oil is leaking.
- Inspect electronics and batteries for exposed wires. Repair exposed wires with shrink-wrap or replace the wire.
- Make sure the ESC and receiver are secure on the chassis. Replace the double-sided tape, if necessary.
- Power on your transmitter. If the red light is flashing, replace the AA batteries in the transmitter.

SERVICE/REPAIR

RADIO/SPEED CONTROL AND MOTOR

If any problems other than those covered in the troubleshooting section arise, please call the appropriate electronics service department. They will be able to give the problem additional specific attention and provide instructions for the solution.

MAINTENANCE

If any questions other than those covered in the troubleshooting or maintenance sections arise, please call the appropriate Horizon product support department.

CLEANING

Performance can be hindered if dirt gets in any of the moving suspension parts. Use compressed air, a soft paintbrush, or a toothbrush to remove dust or dirt. Avoid using solvents or chemicals as they can actually wash dirt into the bearings or moving parts, as well as cause damage to the electronics.

SHOCK CLEANING

Oil-filled shocks will require regular maintenance due to the oil breaking down or getting dirty. This maintenance should be performed after about every 3-5 hours of use, depending on the driving conditions.

- Remove the shock from the vehicle.
- Remove the bottom cartridge from the shock body and dispose of fluid.
- Disassemble the shock. Clean thoroughly with a plastic- and electronic-safe degreaser (DYN5500). Dry parts before assembly.
- Re-assemble the shock and refill the shock body with silicone fluid (17.5 weight recommended, TLR74001).
- Slowly move the shaft and piston up and down to remove air bubbles.
- Move the piston to the midway point of the body and install the bottom cartridge.
- Wipe off any overflowing fluid.
- Re-install the shock on the vehicle.

ADJUSTING RIDE HEIGHT

Chassis Ride height is an adjustment that affects the way the vehicle jumps, turns and goes over bumps. Drop the vehicle from approximately 6 inches (152mm) in height on to a flat surface. When dropping the vehicle, watch how the chassis settles. Make sure that the lower 4-link bars are almost level to the flat surface.

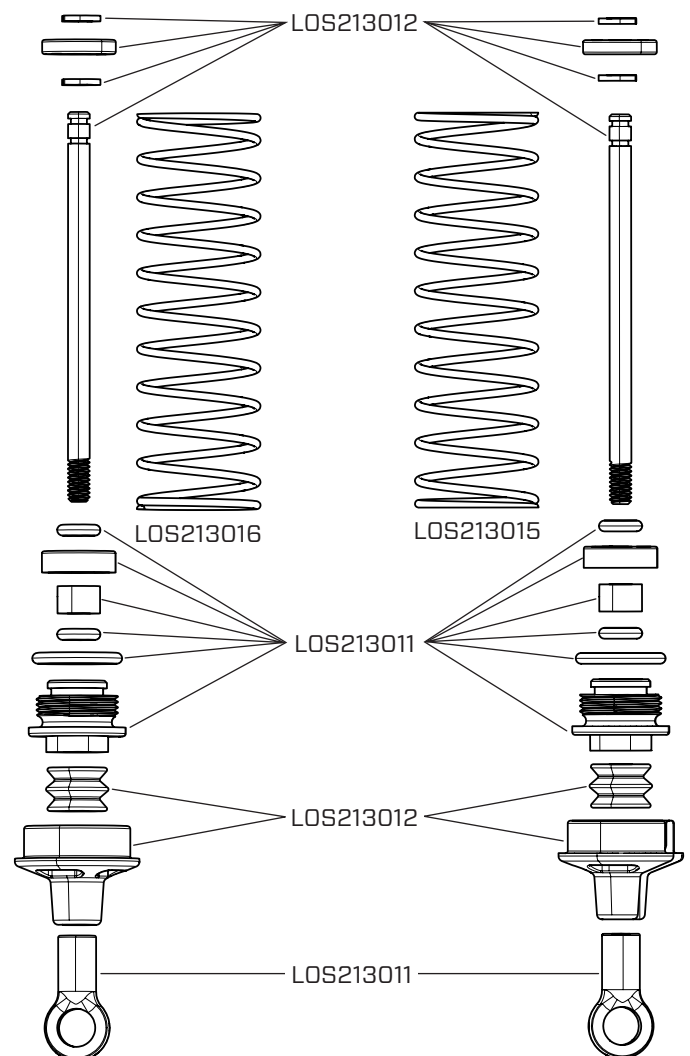
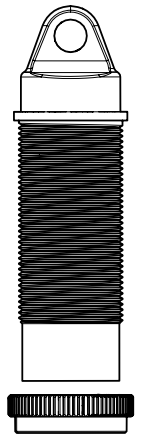
Lowering the chassis ride height where the 4-link bars are below level will increase steering, but increase weight transfer and can cause the truck to become edgy.

Raising the chassis ride height where the 4-link bars are above level will increase the ability of the suspension to absorb bigger jumps and obstacles, but raises the overall center of gravity and can make the truck more prone to flip under power.

REAR SHOCK
LOS213010



FRONT SHOCK
LOS213010



TROUBLESHOOTING GUIDE

PROBLEM	POSSIBLE CAUSE	SOLUTION
Vehicle does not operate	Battery not charged or plugged in	Charge battery/plug in
	ESC switch not "On"	Turn on ESC switch
	Transmitter not "On" or low battery	Turn on/replace batteries
Motor runs but wheels do not rotate	Pinion not meshing with spur gear	Adjust pinion/spur mesh
	Pinion spinning on motor shaft	Tighten pinion gear setscrew on motor shaft flat spot
	Transmission gears stripped	Replace transmission gears
	Drive pin broken	Check and replace drive pin
Steering does not work	Servo plug not in receiver properly	Verify the steering servo plug is connected to the receiver steering channel, noting proper polarity
	Servo gears or motor damaged	Replace or repair servo
Will not turn one direction	Servo gears damaged	Replace or repair servo
Motor does not run	Motor wire solder joint is damaged	Re-solder the motor wire with the proper equipment
	Motor wire broken	Repair or replace as needed
	ESC damaged	Contact Horizon Hobby Product Support
ESC gets hot	Motor over-gearred	Use smaller pinion or larger spur gear
	Driveline bound up	Check wheels and transmission for binding
Poor run time and/or sluggish acceleration	Battery pack not fully charged	Recharge battery
	Charger not allowing full charge	Try another charger
	Driveline bound up	Check wheels, transmission for binding
Poor range and/or glitching	Transmitter batteries low	Check and replace
	Vehicle battery low	Recharge battery
	Loose plugs or wires	Check all wire connections and plugs

REPLACEMENT PARTS

PART #	DESCRIPTION	PART #	DESCRIPTION
LOS-2052	Chassis Plate Set V2, Black	LOS211047	Chassis Cross Brace Set
LOS-2053	Front Hood and Eyes, Megalodon	LOS211048	4-In-1 Collective Header Set (L/R)
LOS-2054	Body Set Complete, Megalodon, Painted	LOS211051	Steering Tie Rod and Drag Link
LOS-2055	Replacement Fin Set, Megalodon	LOS212035	Axle Housing Set
LOS-2056	Cage Set Complete, Megalodon	LOS212036	Upper 4-link Mount and Servo Plate
LOS-2057	Cage Mounting Set, Megalodon	LOS212037	Center Gear Box Housing Set with Covers
LOS-2058	Crossbar Body Mounts, Removable Cage	LOS212038	Center Slider Driveshaft Set
LOS-2059	MT Wheel, Black Beadlock, Lt Grey (2)	LOS212039	Center Slider Driveshaft (2)
LOS-2060	MT Tires, Black Beadlock, Premount (2)	LOS212040	Center Driveshaft Screw Pin (10)
LOS-2311	Variable Diameter Upper 4-Link Bar Set (4)	LOS212041	Idle and Cush Drive Gear Set
LOS-2312	Variable Diameter Lower 4-Link Bar Set (4)	LOS212042	37T Ring Gear, Center Spool
LOS11002	25T Brushed 380 Size Motor	LOS212044	Differential Complete (F/R)
LOS41042	Monster Truck Tire (L/R)	LOS212045	13T Pinion Gear, Center Transmission
LOS41043	Foam Tire Insert (2)	LOS212046	13T Pinion Gear, Axle Housing
LOS41046	MT Wheel, Blue Beadlock, Light Grey (2)	LOS212047	Rear Axle Shaft (2)
LOS41047	MT Tires, Blue Beadlock, Premount (2)	LOS212048	Rear Dogbone (2)
LOS75001	Super Tacky Diff Grease	LOS212049	Front Universal Driveshaft Set (2)
LOS210042	Driver Insert and Safety Seat	LOS212050	12mm Wheel Hex and Screwpin (4)
LOS210043	Body Button Set, Complete	LOS212052	Pinion Gear, 14T, 0.5M, 2mm Shaft
LOS211042	Battery and Radio Tray Set	LOS212053	Pinion Gear, 15T, 0.5M, 2mm Shaft
LOS211043	Servo Saver Set	LOS212054	Pinion Gear, 16T, 0.5M, 2mm Shaft
LOS211044	Suspension Mounting Set	LOS213010	Shock Set Complete (2)

REPLACEMENT PARTS

PART #	DESCRIPTION	PART #	DESCRIPTION
LOS213011	Shock Cartdrige Rebuild Kit (4)	LOS215007	Button Head Screws, M2 x 14mm (10)
LOS213012	Shock Shaft Rebuild Kit (2)	LOS215009	Button Head Screws, M2 x 20mm (10)
LOS213015	Shock Springs Soft, Yellow (4)	LOS215010	Cap Head Screws, M2 x 25mm (10)
LOS213016	Shock Springs Med, Blue (4)	LOS216008	Washer, 2.2mm x 4.5mm x 0.3mm (10)
LOS213017	Shock Springs Firm, Red (4)	LOS217002	5 x 8 x 2.5mm Ball Bearing, Flanged (4)
LOS214041	Spindle and Spindle Carrier Set (L/R)	LOS217003	7 x 13 x 3mm Ball Bearing (4): Mini LMT
LOS214042	Sway Bar Set (F/R)	LOS235014	Lock Nut, M2 x 0.4 x 4mm (10)
LOS214043	Rear Axle Mount Set, 0 deg	LOS257007	4 x 8 x 3mm Ball Bearing (4)
LOS214044	Upper 4-Link Bar Set (4)	SPMRSLT200F	SLT2 2CH Transmitter (FS & OEM)
LOS214045	Lower 4-link Bar Set (4)	SPMRSLT320	SLT3 3CH 2.4Ghz SLT Radio Transmitter Only
LOS214046	King Pin Set (4)	SPMSSX108	SX108 Micro Gear Servo
LOS215001	Cap Head Screws, M2 x 8mm (10)	SPMX812SH2	7.4V 810mAh 2S Smart G2 50C LiPo: IC2
LOS215003	Flat Head Screws, M2 x 12mm (10)	SPMXC0040	S10 G2 LiPo USB-C Smart Charger: IC2 Connector
LOS215005	Button Head Screws, M2 x 8mm (10)	SPMXSE3025RX	SLT 25a ESC/RX 1/16 & 1/18, IC2
LOS215006	Button Head Screws, M2 x 10mm (10)		

OPTIONAL PARTS

PART #	DESCRIPTION	PART #	DESCRIPTION
LOS41044	MT Wheel, Green Beadlock, Light Grey (2)	LOS311017	Hoop Crossbar, Aluminum, Black (2):
LOS41045	MT Tires, Green Beadlock, Premount (2)	LOS311019	Wheelie Bump, Aluminum, Black
LOS210044	Body Set, Grave Digger, Painted	LOS311020	Steering Tie Rod, Aluminum, Black
LOS210045	Body Set, Grave Digger, Clear	LOS312008	Axle Housing Set, Aluminum, Black
LOS210046	Body Set, Son Uva Digger, Painted	LOS312009	Axle Mount Rear, 0 deg, Aluminum, Black
LOS210047	Body Set, Son Uva Digger, Clear	LOS314006	Lower 4-Link Mount Set, Aluminum, Black (4)
LOS210048	LED Front Headlight Set	LOS314007	Steering Spindle Set, Aluminum, Black
LOS211045	Wheelie Bar Set, Green	LOS314008	Spindle Carrier Set, 0 deg, Aluminum, Black
LOS211046	Wheelie Bar Set, Blue	LOS314010	Upper 4-link Mount, Aluminum, Black
LOS311015	Crossbar, Center, Top, Aluminum, Black	LOS314012	Spindle Carrier Set, 5 deg, Aluminum, Black
LOS311016	Crossbar, Shock Mount, Aluminum, Black (2)	SPMXCA320	Adapter: IC3 Battery / IC2 Device

LIMITED WARRANTY

What This Warranty Covers - Horizon Hobby, LLC, (Horizon) warrants to the original purchaser that the product purchased (the "Product") will be free from defects in materials and workmanship at the date of purchase.

What is Not Covered - This warranty is not transferable and does not cover (i) cosmetic damage, (ii) damage due to acts of God, accident, misuse, abuse, negligence, commercial use, or due to improper use, installation, operation or maintenance, (iii) modification of or to any part of the Product, (iv) attempted service by anyone other than a Horizon Hobby authorized service center, (v) Product not purchased from an authorized Horizon dealer, or (vi) Product not compliant with applicable technical regulations or (vii) use that violates any applicable laws, rules, or regulations.

OTHER THAN THE EXPRESS WARRANTY ABOVE, HORIZON MAKES NO OTHER WARRANTY OR REPRESENTATION, AND HEREBY DISCLAIMS ANY AND ALL IMPLIED WARRANTIES, INCLUDING, WITHOUT LIMITATION, THE IMPLIED WARRANTIES OF NON-INFRINGEMENT, MERCHANTABILITY AND FITNESS FOR A PARTICULAR PURPOSE. THE PURCHASER ACKNOWLEDGES THAT THEY ALONE HAVE DETERMINED THAT THE PRODUCT WILL SUITABLY MEET THE REQUIREMENTS OF THE PURCHASER'S INTENDED USE.

Purchaser's Remedy - Horizon's sole obligation and purchaser's sole and exclusive remedy shall be that Horizon will, at its option, either (i) service, or (ii) replace, any Product determined by Horizon to be defective. Horizon reserves the right to inspect any and all Product(s) involved in a warranty claim. Service or replacement decisions are at the sole discretion of Horizon. Proof of purchase is required for all warranty claims. SERVICE OR REPLACEMENT AS PROVIDED UNDER THIS WARRANTY IS THE PURCHASER'S SOLE AND EXCLUSIVE REMEDY.

Limitation of Liability - HORIZON SHALL NOT BE LIABLE FOR SPECIAL, INDIRECT, INCIDENTAL OR CONSEQUENTIAL DAMAGES, LOSS OF PROFITS OR PRODUCTION OR COMMERCIAL LOSS IN ANY WAY, REGARDLESS OF WHETHER SUCH CLAIM IS BASED IN CONTRACT, WARRANTY, TORT, NEGLIGENCE, STRICT LIABILITY OR ANY OTHER THEORY OF LIABILITY, EVEN IF HORIZON HAS BEEN ADVISED OF THE POSSIBILITY OF SUCH DAMAGES. Further, in no event shall the liability of Horizon exceed the individual price of the Product on which liability is asserted. As Horizon has no control over use, setup, final assembly, modification or misuse, no liability shall be assumed nor accepted for any resulting damage or injury. By the act of use, setup or assembly, the user accepts all resulting liability. If you as the purchaser or user are not prepared to accept the liability associated with the use of the Product, purchaser is advised to return the Product immediately in new and unused condition to the place of purchase.

Law - These terms are governed by Illinois law (without regard to conflict of law principals). This warranty gives you specific legal rights, and you may also have other rights which vary from state to state. Horizon reserves the right to change or modify this warranty at any time without notice.

WARRANTY SERVICES

Questions, Assistance, and Services - Your local hobby store and/or place of purchase cannot provide warranty support or service. Once assembly, setup or use of the Product has been started, you must contact your local distributor or Horizon directly. This will enable Horizon to better answer your questions and service you in the event that you may need any assistance. For questions

or assistance, please visit our website at www.horizonhobby.com, submit a Product Support Inquiry, or call the toll free telephone number referenced in the Warranty and Service Contact Information section to speak with a Product Support representative.

Inspection or Services - If this Product needs to be inspected or serviced and is compliant in the country you live and use the Product in, please use the Horizon Online Service Request submission process found on our website or call Horizon to obtain a Return Merchandise Authorization (RMA) number. Pack the Product securely using a shipping carton. Please note that original boxes may be included, but are not designed to withstand the rigors of shipping without additional protection. Ship via a carrier that provides tracking and insurance for lost or damaged parcels, as Horizon is not responsible for merchandise until it arrives and is accepted at our facility. An Online Service Request is available at http://www.horizonhobby.com/content/service-center_render-service-center. If you do not have internet access, please contact Horizon Product Support to obtain a RMA number along with instructions for submitting your product for service. When calling Horizon, you will be asked to provide your complete name, street address, email address and phone number where you can be reached during business hours. When sending product into Horizon, please include your RMA number, a list of the included items, and a brief summary of the problem. A copy of your original sales receipt must be included for warranty consideration. Be sure your name, address, and RMA number are clearly written on the outside of the shipping carton.

NOTICE: Do not ship Li-Po batteries to Horizon. If you have any issue with a Li-Po battery, please contact the appropriate Horizon Product Support office.

Warranty Requirements - For Warranty consideration, you must include your original sales receipt verifying the proof-of-purchase date. Provided warranty conditions have been met, your Product will be serviced or replaced free of charge. Service or replacement decisions are at the sole discretion of Horizon.

Non-Warranty Service - Should your service not be covered by warranty, service will be completed and payment will be required without notification or estimate of the expense unless the expense exceeds 50% of the retail purchase cost. By submitting the item for service you are agreeing to payment of the service without notification. Service estimates are available upon request. You must include this request with your item submitted for service. Non-warranty service estimates will be billed a minimum of 0.5 hours of labor. In addition you will be billed for return freight. Horizon accepts money orders and cashier's checks, as well as Visa, MasterCard, American Express, and Discover cards. By submitting any item to Horizon for service, you are agreeing to Horizon's Terms and Conditions found on our website http://www.horizonhobby.com/content/service-center_render-service-center.

ATTENTION: Horizon service is limited to Product compliant in the country of use and ownership. If received, a non-compliant Product will not be serviced. Further, the sender will be responsible for arranging return shipment of the un-serviced Product, through a carrier of the sender's choice and at the sender's expense. Horizon will hold non-compliant Product for a period of 60 days from notification, after which it will be discarded.

10/15

WARRANTY AND SERVICE CONTACT INFORMATION

COUNTRY OF PURCHASE	HORIZON HOBBY	CONTACT INFORMATION	ADDRESS
United States of America	Horizon Service Center (Repairs and Repair Requests)	servicecenter.horizonhobby.com/ RequestForm/	2904 Research Rd Champaign, Illinois 61822 USA
	Horizon Product Support (Product Technical Assistance)	productsupport@horizonhobby.com 877-504-0233	
	Sales	websales@horizonhobby.com 800-338-4639	
Germany	Horizon Technischer Service	service@horizonhobby.eu +49 (0) 4121 2655 100	Hanskampring 9 D 22885 Barsbüttel, Germany
	Sales: Horizon Hobby GmbH		

FCC INFORMATION



Contains FCC ID: BRWSPMSLT200F

This equipment complies with FCC and IC radiation exposure limits set forth for an uncontrolled environment. This equipment should be installed and operated with minimum distance 20cm between the radiator and/or antenna and your body (excluding fingers, hands, wrists, ankles and feet). This transmitter must not be co-located or operating in conjunction with any other antenna or transmitter.

SUPPLIER'S DECLARATION OF CONFORMITY

Losi Mini LMT Megalodon 4X4 Monster Jam Truck, RTR (LOS01026T3)

This device complies with part 15 of the FCC Rules. Operation is subject to the following two conditions: (1) This device may not cause harmful interference, and (2) this device must accept any interference received, including interference that may cause undesired operation.



CAUTION: Changes or modifications not expressly approved by the party responsible for compliance could void the user's authority to operate the equipment.

NOTE: This equipment has been tested and found to comply with the limits for a Class B digital device, pursuant to part 15 of the

FCC Rules. These limits are designed to provide reasonable protection against harmful interference in a residential installation. This equipment generates, uses and can radiate radio frequency energy and, if not installed and used in accordance with the instructions, may cause harmful interference to radio communications. However, there is no guarantee that interference will not occur in a particular installation. If this equipment does cause harmful interference to radio or television reception, which can be determined by turning the equipment off and on, the user is encouraged to try to correct the interference by one or more of the following measures:

- Reorient or relocate the receiving antenna.
- Increase the separation between the equipment and receiver.
- Connect the equipment into an outlet on a circuit different from that to which the receiver is connected.
- Consult the dealer or an experienced radio/TV technician for help.

Horizon Hobby, LLC
2904 Research Rd.
Champaign, IL 61822
Email: compliance@horizonhobby.com
Web: HorizonHobby.com

IC INFORMATION

CAN ICES-3 (B)/NMB-3(B)

Contains IC: 6157A-SPMSLT200F

This device contains license-exempt transmitter(s)/receivers(s) that comply with Innovation, Science, and Economic Development Canada's license-exempt RSS(s). Operation is subject to the following 2 conditions:

1. This device may not cause interference.
2. This device must accept any interference, including interference that may cause undesired operation of the device.

COMPLIANCE INFORMATION FOR THE EUROPEAN UNION



EU Compliance Statement:

Losi Mini LMT Megalodon 4X4 Monster Jam Truck, RTR (LOS01026T3):

Hereby, Horizon Hobby, LLC declares that the device is in compliance with the following: Radio Equipment Directive (RED) 2014/53/EU, Low Voltage Directive (LVD) 2014/35/EU, 2014/30/EU EMC Directive, RoHS 2 Directive 2011/65/EU, RoHS 3 Directive - Amending 2011/65/EU Annex II 2015/863.

The full text of the EU declaration of conformity is available at the following internet address: <https://www.horizonhobby.com/content/support-render-compliance>.

NOTE: This product contains batteries that are covered under the 2006/66/EC European Directive, which cannot be disposed of with normal household waste. Please follow local regulations.

Wireless Frequency Range and Wireless

Output Power:

Transmitter:

2410-2480 MHz
23.23 dBm

Receiver

2404-2476 MHz
5.58 dBm

EU Manufacturer of Record:

Horizon Hobby, LLC
2904 Research Road
Champaign, IL 61822 USA

EU Importer of Record:

Horizon Hobby, GmbH
Hanskampring 9
22885 Barsbüttel Germany

WEEE NOTICE:



This appliance is labeled in accordance with European Directive 2012/19/EU concerning waste of electrical and electronic equipment (WEEE). This label indicates that this product should not be disposed of with household waste. It should be deposited at an appropriate facility to enable recovery and recycling.

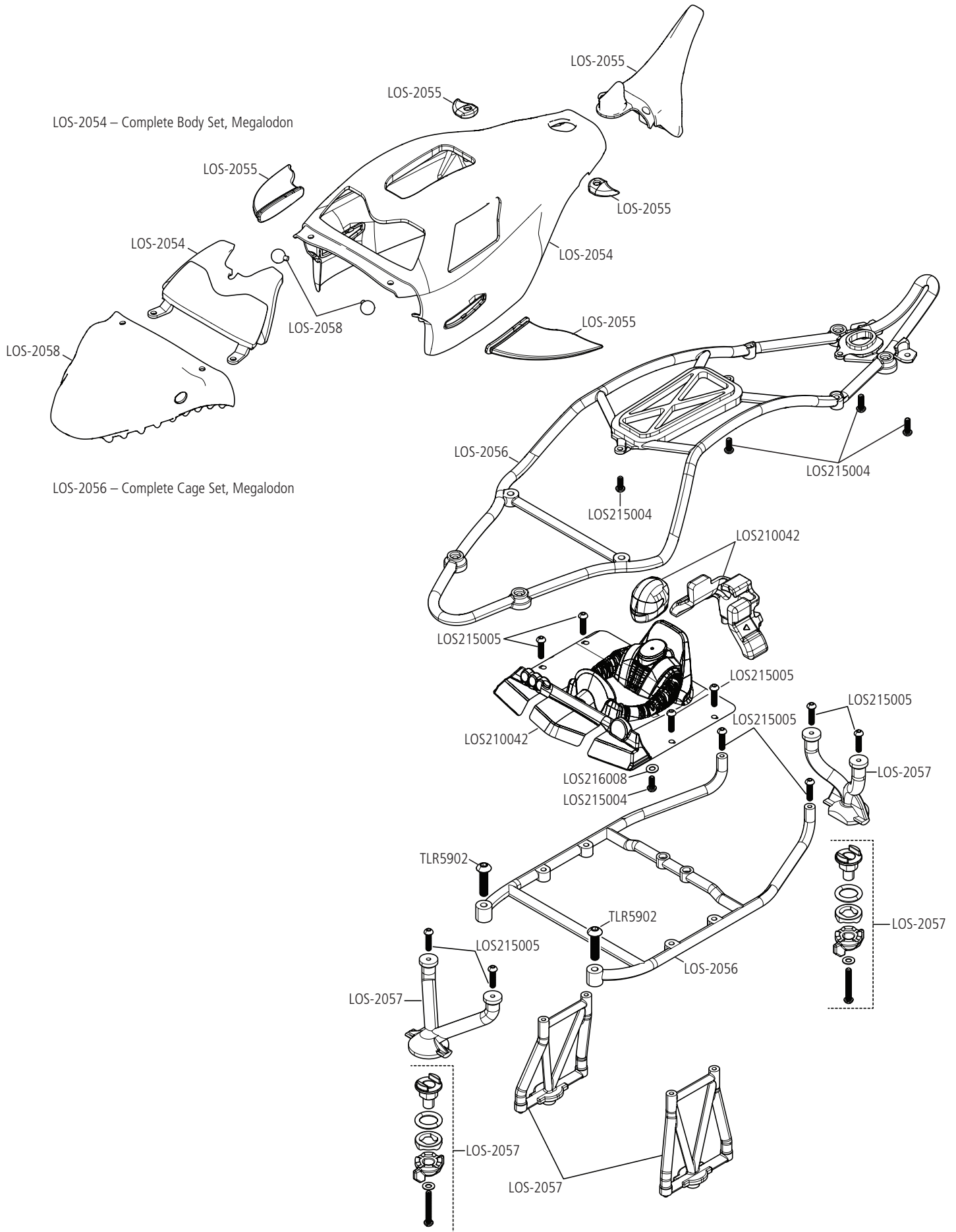




MINI LMT MEGALODON™ 4X4 MONSTER JAM™ TRUCK, RTR

LOS01026T3

EXPLODED VIEW / EXPLOSIONSZEICHNUNG / VUE ÉCLATÉE DES PIÈCES / VISTA ESPLOSA DELLE PARTI

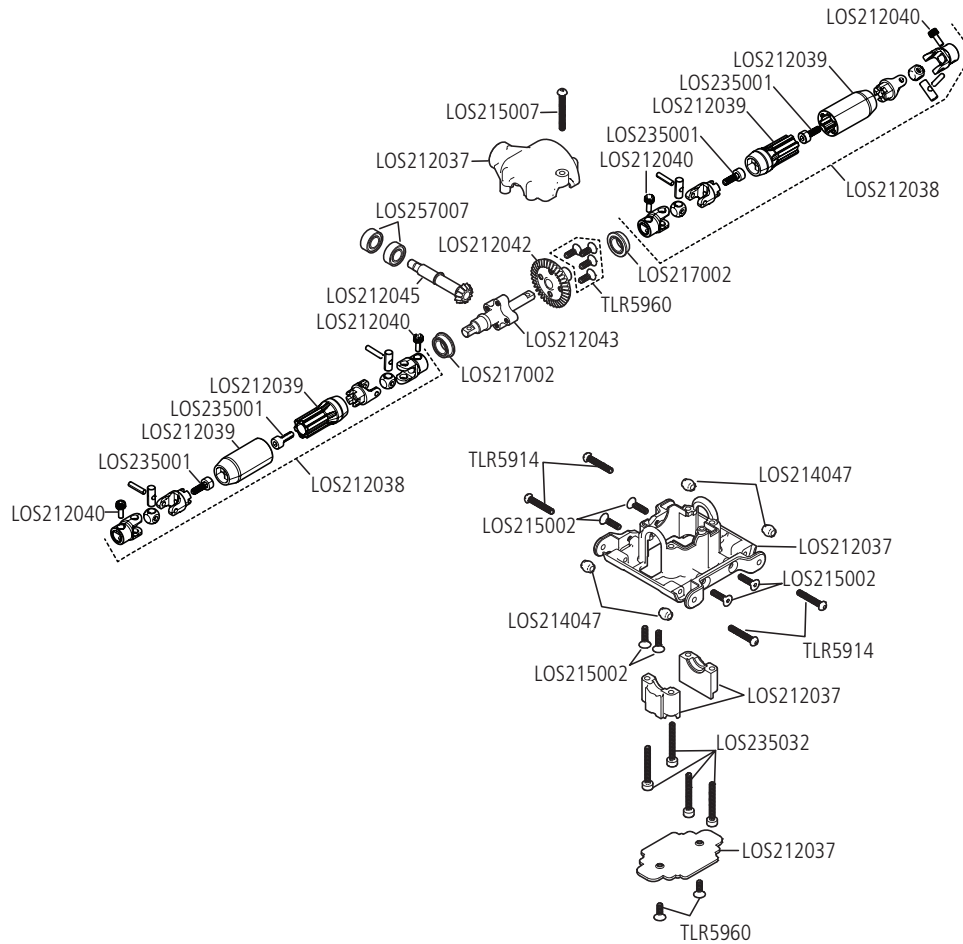




MINI LMT MEGALODON™ 4X4 MONSTER JAM™ TRUCK, RTR

LOS01026T3

EXPLODED VIEW / EXPLOSIONSZEICHNUNG / VUE ÉCLATÉE DES PIÈCES / VISTA ESPLOSA DELLE PARTI

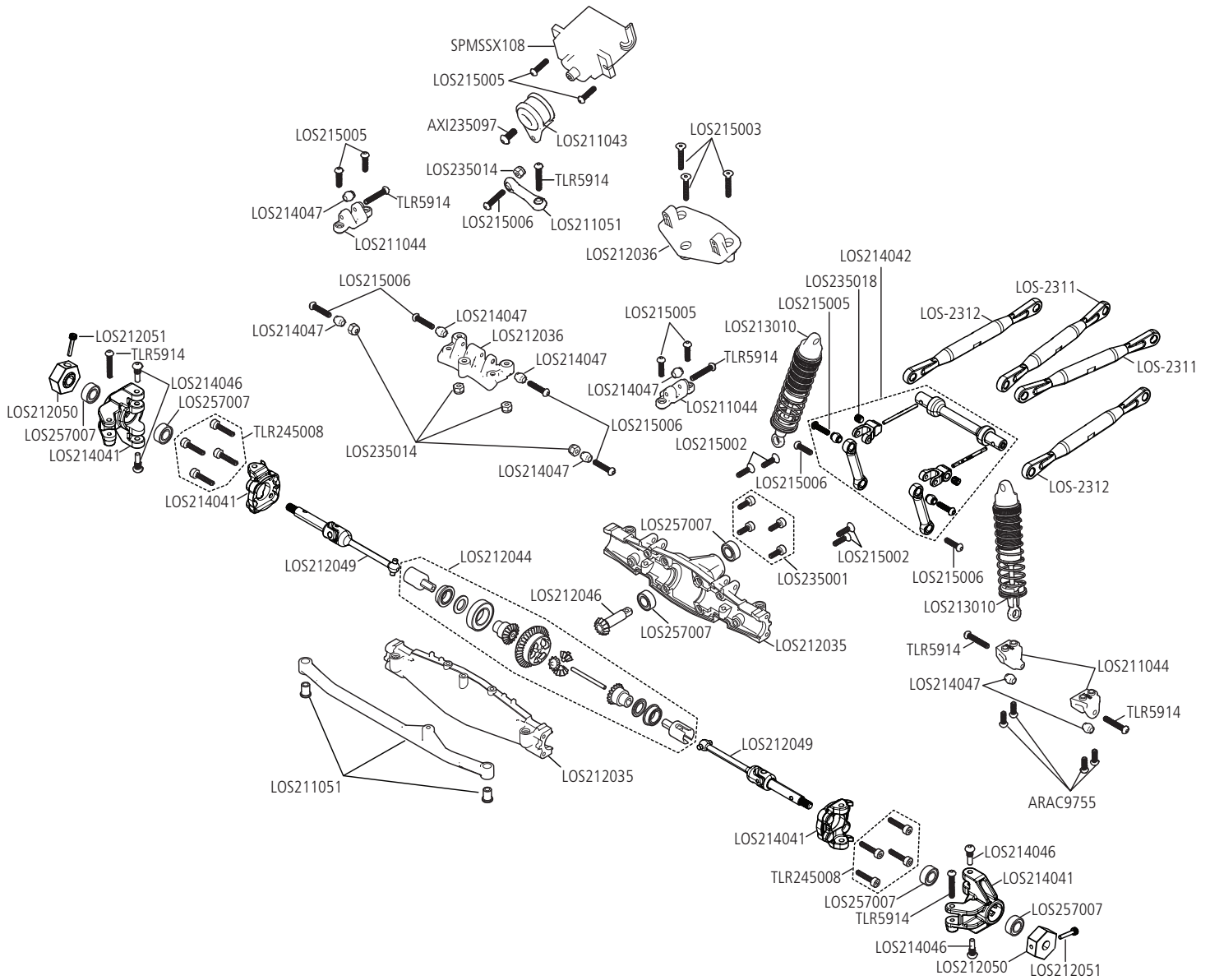




MINI LMT MEGALODON™ 4X4 MONSTER JAM™ TRUCK, RTR

LOS01026T3

EXPLODED VIEW / EXPLOSIONSZEICHNUNG / VUE ÉCLATÉE DES PIÈCES / VISTA ESPLOSA DELLE PARTI

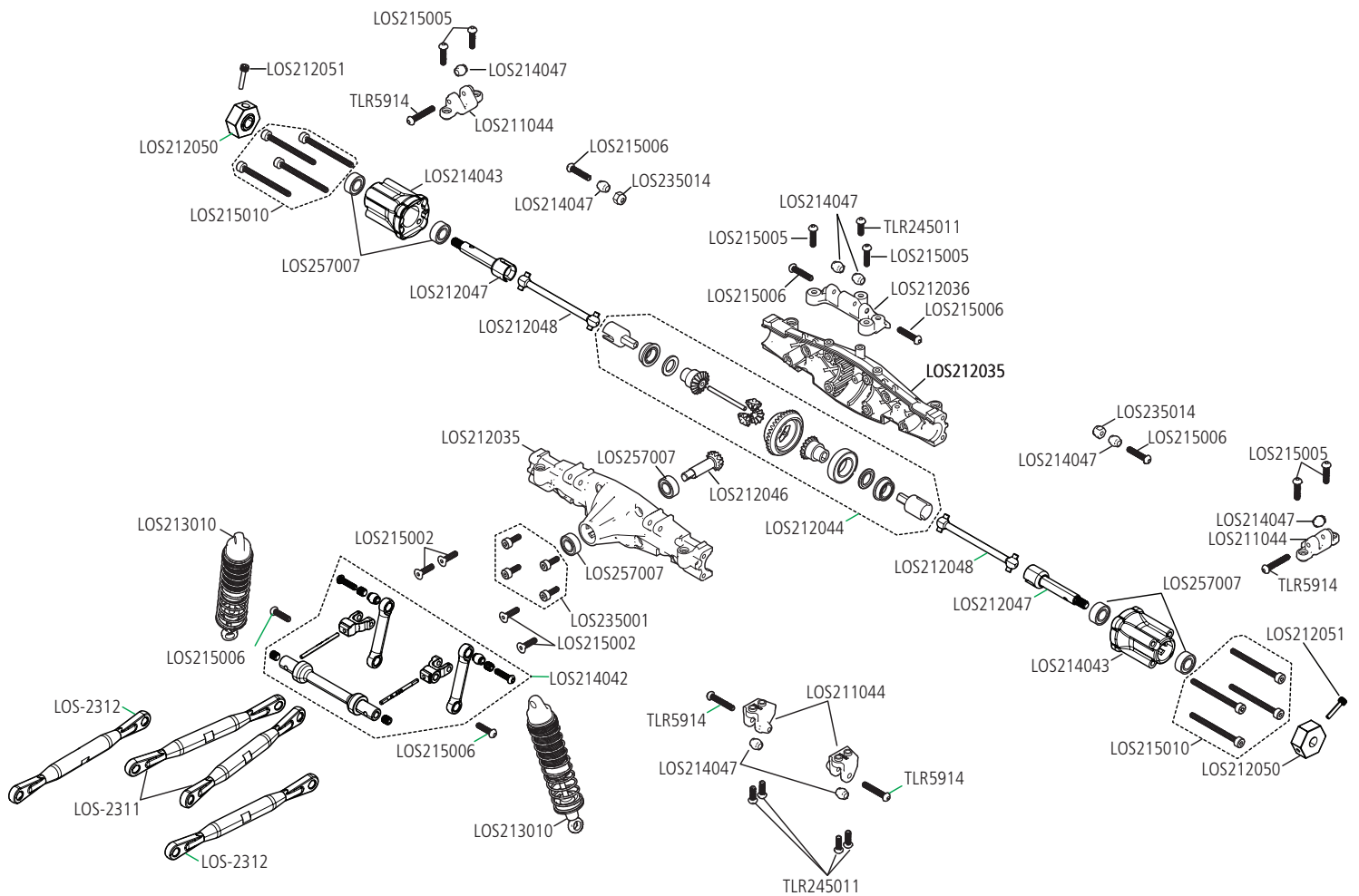




MINI LMT MEGALODON™ 4X4 MONSTER JAM™ TRUCK, RTR

LOS01026T3

EXPLODED VIEW / EXPLOSIONSZEICHNUNG / VUE ÉCLATÉE DES PIÈCES / VISTA ESPLOSA DELLE PARTI

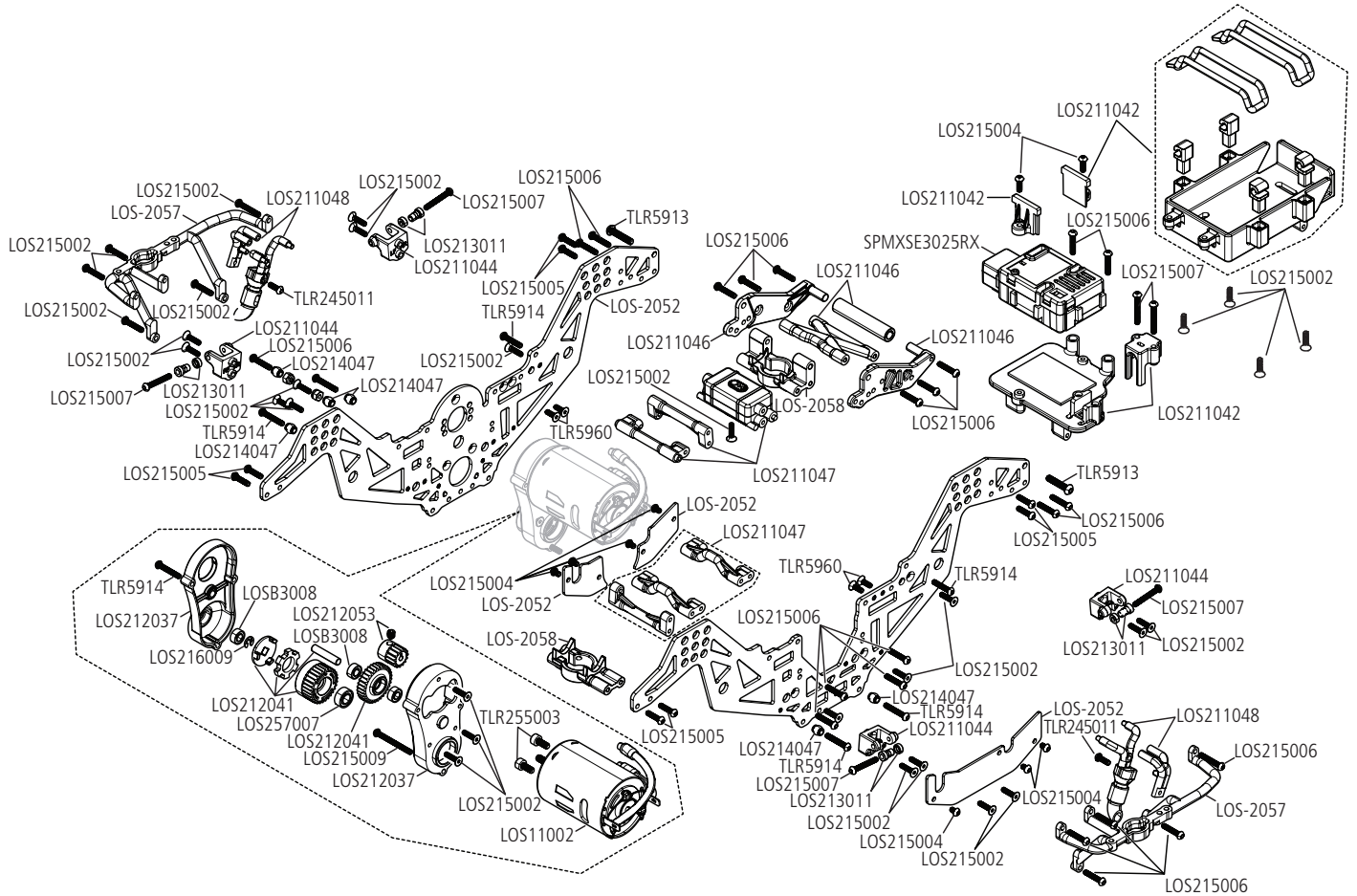




LOS01026T3

MINI LMT MEGALODON™ 4X4 MONSTER JAM™ TRUCK, RTR

EXPLODED VIEW / EXPLOSIONSZEICHNUNG / VUE ÉCLATÉE DES PIÈCES / VISTA ESPLOSA DELLE PARTI

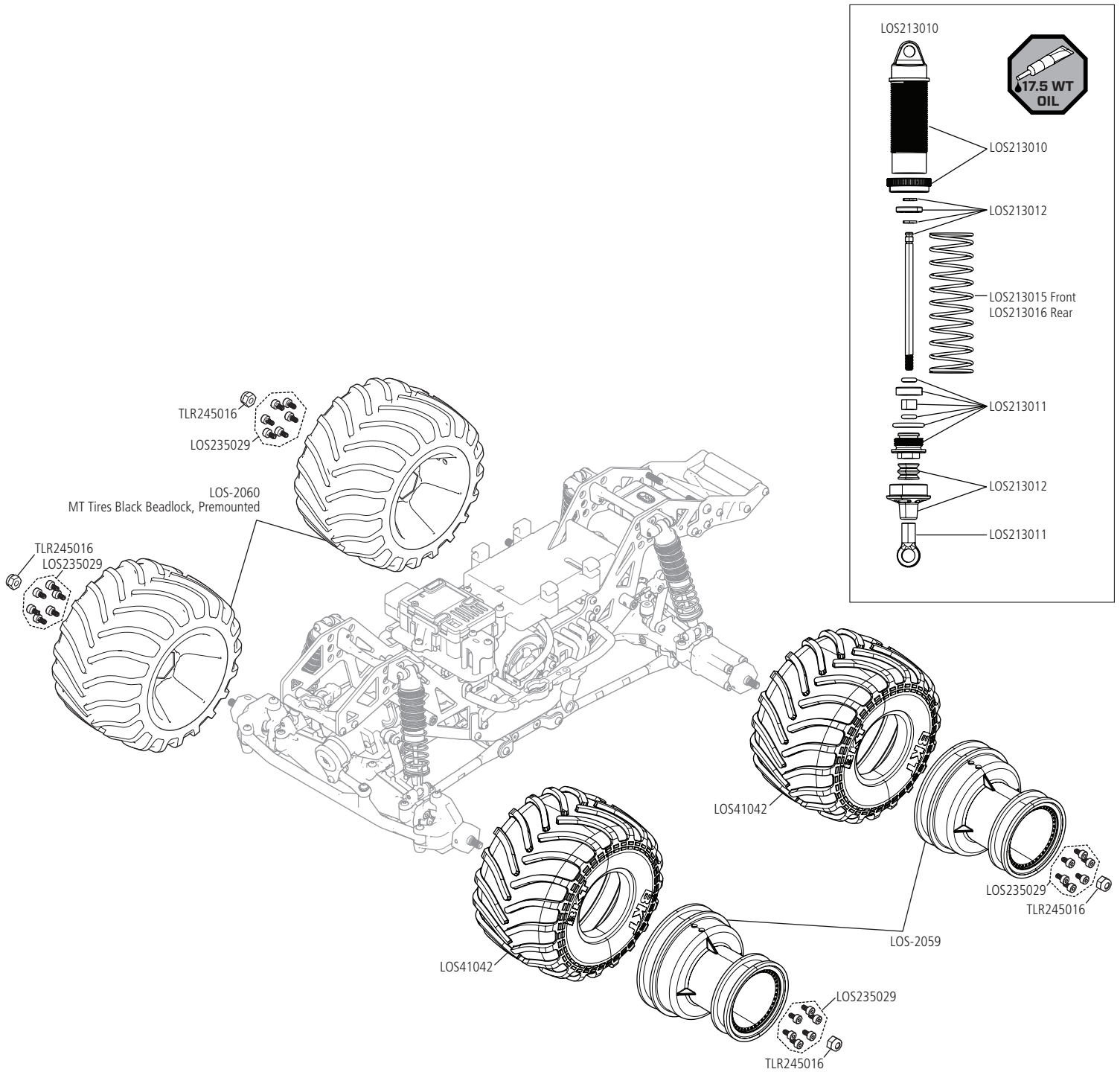




MINI LMT MEGALODON™ 4X4 MONSTER JAM™ TRUCK, RTR

LOS01026T3

EXPLODED VIEW / EXPLOSIONSZEICHNUNG / VUE ÉCLATÉE DES PIÈCES / VISTA ESPLOSA DELLE PARTI





WWW.LOSI.COM

©2024 Horizon Hobby, LLC. Losi, SLT2, IC2, and the Horizon Hobby logo are trademarks or registered trademarks of Horizon Hobby, LLC.

The Spektrum trademark is used with permission of Bachmann Industries, Inc. Feld Motor Sports, Inc., Monster Jam™, United States Hot Rod Association™, USHRA™, Megalodon™ are trademarks used under license by Feld Motor Sports, Inc. All rights reserved.

BKT™ logos are trademarks of BKT™ used under license.

All other trademarks or registered trademarks are property of their respective owners.